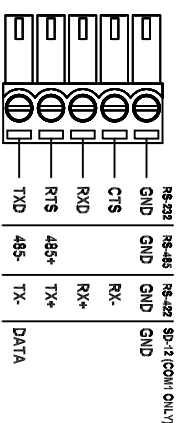
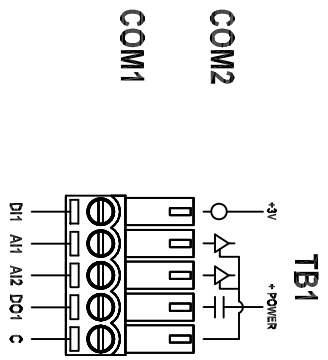
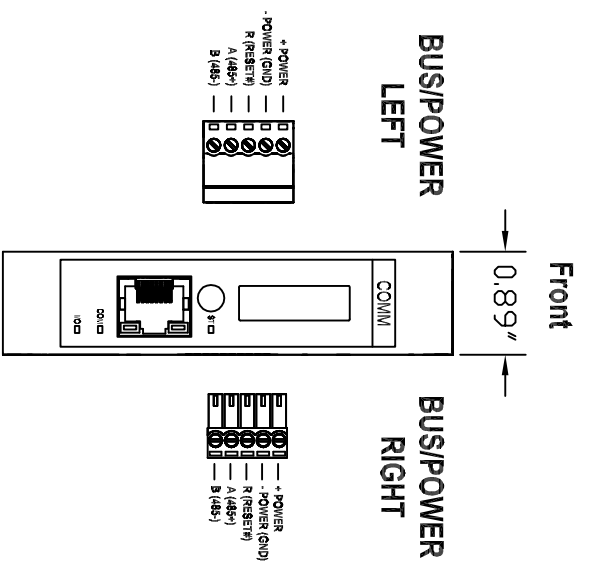
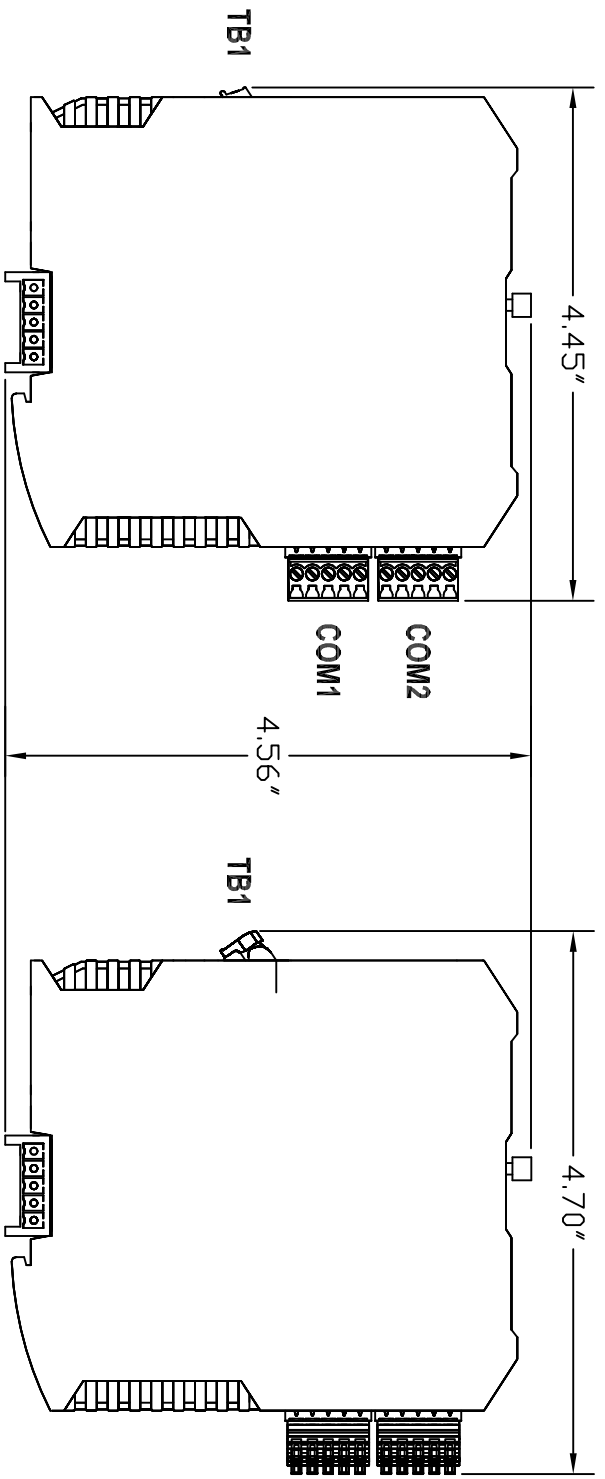


Screw Terminals (81-5100)

Lever Terminals (82-5100)



ZONE	REV	DESCRIPTION	DATE	APPROVED

1384 Blue Oaks Blvd
 Roseville, CA 95678
 (530) 888-1800
 WWW.CLINIKS.COM

Industrial Control Links
 MODULUS COMM 8x-5100

SIZE: FROM NO. 61306001
 DRAW NO. 61306001
 SHEET 1
 REV AX1