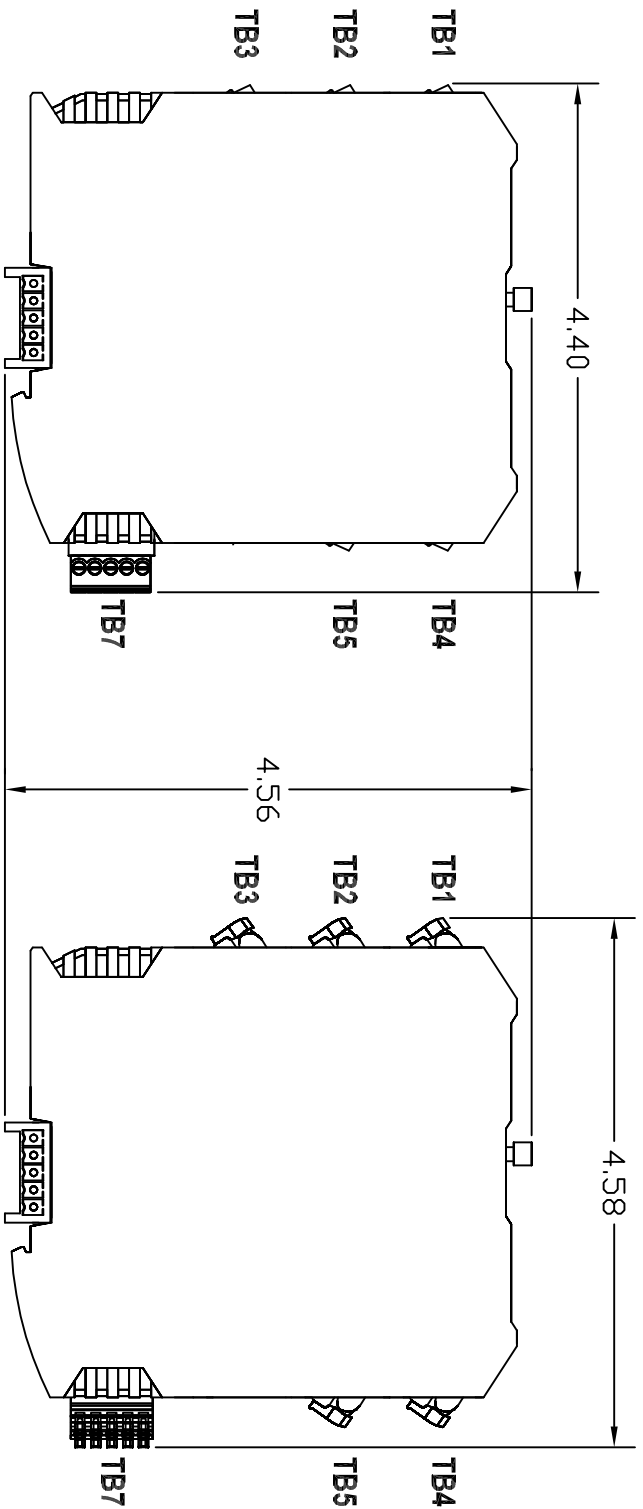
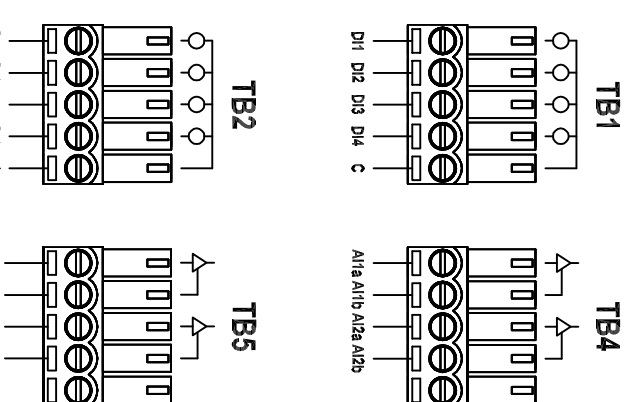


**Screw Terminals (81-3106)**



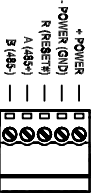
**Lever Terminals (82-3106)**



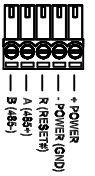
**Front**

0.89

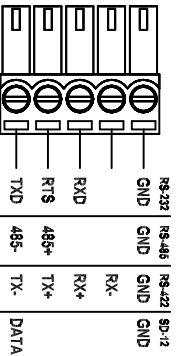
**BUS/POWER LEFT**



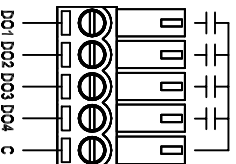
**BUS/POWER RIGHT**



**TB7 (COM1)**



**TB3**



ZONE	REV	DESCRIPTION	DATE	APPROVED
------	-----	-------------	------	----------

1384 Blue Oaks Blvd Roseville, CA 95678 (530) 888-1800 WWW.ICLINKS.COM		Industrial Control Links	
SIZE	FORM NO.	DWG NO.	REV
		61286001	AX1
MODULUS COMBO 120/240V 8x-3106		SHEET	