

MODULUS

Spread Spectrum Radio Comm Module 2110 with Mini I/O

Modulus Spread Spectrum Communications modules have built-in 900MHz Spread Spectrum radios for secure data exchange over a license-free wireless network. They also support **wired** communications with Modbus, DF1, Ethernet IP, SDX, MQTT and SDI-12.

Spread Spectrum Communications module have built-in analog and digital I/O for tank level and process monitoring, and pump control applications such as wells, lift stations and booster pumping stations. The modules have an analog input supporting both mA and voltage measurement. In addition, they have six discrete inputs (two high-speed and four optically isolated), three discrete outputs, and two analog outputs.

Modulus Spread Spectrum Communications modules have two serial ports (bus port plus one general purpose port). The bus port may also be used for general purpose RS-485 communications when not bussed with other Modulus I/O modules.

STANDALONE OPERATION

Modulus Spread Spectrum Communications modules can serve as stand-alone devices with SCADA communications, local and web human machine interfaces (HMIs), historical trending and data logging, alarming, reporting, and programmable logic.

COMMUNICATIONS

Modulus Spread Spectrum Communications modules have a built-in 1W 900MHz Spread Spectrum radio, either Xtend compatible for adding to older systems, or SX for new designs. They also have an Ethernet port and two serial ports to communicate with Modbus devices and Allen Bradley PLCs. They can serve as communications concentrators or master controllers, as well as providing web and data access to any other Modulus modules on the high-speed bus. They support Ethernet to Serial bridging, and routing through Ethernet ports in other Modulus modules on the bus.

GRAPHICAL, MOBILE, AND LOCAL HMIs

Configurable graphical and mobile device web interfaces, including the tools and libraries to build custom screens, are built in. The front panel display can also be customized to show live process values and states, and make setting changes.

HISTORICAL TRENDING AND EVENT LOGGING

Modulus Spread Spectrum Communications modules have an internal flash disk, as well as a micro SD memory card slot to record over 100 years of data! Use built-in web tools to retrieve and display historical trend and event data and extract it as spreadsheet files.

REPORTING

Reports with custom graphics and logos can be created in minutes, showing live values, totals, trend/event data, alarm summaries, etc. They can be called up on demand, or sent out automatically.



Digi 1/4W Spread Spectrum Radio Module
8x-5062 2DI/PI, 4DI, 3DO, 1AI (20mA/V), 2AO

Digi Xtend 1W Spread Spectrum Radio Module
8x-5063 2DI/PI, 4DI, 3DO, 1AI (20mA/V), 2AO

Digi SX 1W Spread Spectrum Radio Module
8x-5064 2DI/PI, 4DI, 3DO, 1AI (20mA/V), 2AO



Optional Field Wiring Panel

Modulus Spread Spectrum Communications Modules—Mini I/O

- 1 ETHERNET PORT
- 1 900MHZ SPREAD SPECTRUM RADIO, CHOICE OF 1/4W OR 1W
- 2 SERIAL PORTS (BUS PORT PLUS A GENERAL PURPOSE PORT)
- 2 DISCRETE/HIGH-SPEED PULSE INPUTS
- 4 DISCRETE INPUTS (OPTICALLY ISOLATED)
- 3 DISCRETE OUTPUTS (PROTECTED FET)
- 1 ANALOG INPUT (mA,/V)
- 2 ANALOG OUTPUTS (20mA)

ALARMING

A Modulus Spread Spectrum Communications module can manage alarm conditions on any of its local inputs, as well as over 500 conditions monitored by communications with other devices. Alarms conditions can be displayed locally and annunciated with its discrete output, as well as text message and e-mail alerts over the Internet via its Ethernet port. The module maintains a journal spreadsheet file of when alarms occurred, when they were acknowledged, by whom, and when the alarm conditions cleared.

PROGRAMMABLE LOGIC

Modulus Spread Spectrum Communications modules support programmable logic written in ladder logic, function block and text languages; all with 32-bit integer and floating point math. Programmable logic can supplement the built-in functions of the module.

PID & PUMP CONTROL

Modulus Spread Spectrum Communications modules have a quad PID controller and a triplex pump controller (float or level control) with error detection and alarming. The Spread Spectrum Communications Module is an ideal solution for SCADA operation of wells, lift stations, and booster pump stations.

REDUNDANCY

Modulus Spread Spectrum Communications modules support redundancy for enhanced reliability. If a module goes off-line, a designated backup can take over automatically.

Modulus Spread Spectrum Communications Module with Mini I/O - Type 2110 - Specifications

FIELD I/O

Discrete Inputs:	2	High-speed, non-isolated DC or contact closure, DC to 20KHz maximum
Input Range:		Contact closure/open collector driver to ground, or 0 to 30Vdc (ON=<1.5V, OFF > 2.5V)
Input Current:		Approximately 0.5mA (internal current source)
Filtering:		Individually configurable: 5Hz, 10Hz, 20Hz, 50Hz, 100Hz, 500Hz, 1KHz, 2KHz, 5KHz, 10KHz+
	4	Optically Isolated, bipolar (AC/DC, not polarity sensitive)
Input Range:		0 to 30V (OFF < 6V, ON>9V)
Input Current:		1.2mA @ 12V, 3mA @ 24V
Filtering:		Individually configurable: 20Hz or 100Hz
Discrete Outputs:	3	Solid-state Protected FET high-side drivers (switch to input power when ON)
Output Rating:		30Vdc, 2A maximum, current limited to approximately 2.25A.
Analog Inputs:	1	16-bit, Delta Sigma, individually software configurable ranges
Input Range:		• 20mA (minimum input for full accuracy is 0.5mA) • 5V, +/-5V, 10V, +/-10V, 30V
Analog Outputs:	2	12-bit
Output Ranges:		• 0- 20mA, 4-20mA

COMMUNICATIONS

Ethernet:	1	10/100mb/s (10/100 Base-T)
SCADA Protocols		Modbus TCP & UDP (master/slave), Ethernet IP (master/slave PLC5 & SLC5/05 emulation), SDX (AES-128 Encryption), MQTT, Ethernet to Serial bridging
Internet Protocols		HTTP (server), FTP (server & client), E-mail (SMTP and POP3), ICMP (ping; server & client), NTP (client), DHCP (server & client), DNS, DDNS
Wireless:	1	900MHz Frequency Hopping Spread Spectrum radio
		1/4W (24dBm): Digi Xtend [8x-5062], 1W (30dBm): Digi Xtend [8x-5063] or SX [8x-5064]
		[8x-5062 and 8x-5063] -110 dBm sensitivity @ 9.6kbps [8x-5064] -113 dBm sensitivity @ 9.6kbps
SCADA Protocols		Modbus RTU (master/slave), DF1 (slave), SDX (AES-128 Encryption)
Serial:	1	RS-232, RS-485, RS-422, SDI-12 (for general purpose communications)
	1	RS-485 Bus port (this port is available for general purpose communications if not used for high-speed bus communications with other modules)
Baud Rates (all ports)		115K, 38.4K, 19.2K, 9600, 4800, 2400, 1200 baud.
Protocols		Modbus RTU (master/slave), DF1 (slave), SDX (AES-128 Encryption), SDI-12 (general purpose port only)

HMI

Local:	128x32 graphical, wide temperature range yellow OLED and single pushbutton
Graphical:	Web based, graphic library included. Compatible with most browsers, including Internet Explorer, Firefox, Chrome, Safari, Android
Mobile:	Web based, text only, up to 50 registers. Compatible with most browsers, including Internet Explorer, Firefox, Chrome, Safari, Android

PROGRAMMING

Languages:	Ladder Logic, Function Block, Text—built-in web based graphical and text editor and debugger
Capacity:	64KB logic, 2MB source code, 32-bit integer and floating point math

STORAGE

Registers:	504 Numeric registers, 504 Boolean registers
Internal Flash disk:	32MB
Removable disk:	Micro SD Card (up to 256GB, supplied by customer)

CLOCK

Real Time Clock:	Temperature compensated with lithium battery backup power
Stability	+/- 3ppm from -30°C to 70°C

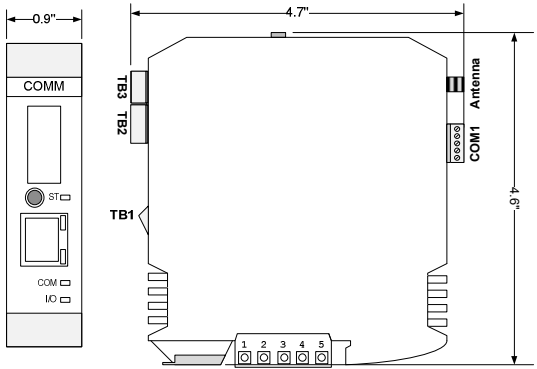
GENERAL

Input Power:	10Vdc to 30Vdc
Power Consumption	
Not using Ethernet	18mA @ 12Vdc / 13mA @ 24Vdc (Ethernet power saver enabled)
Using Ethernet	78mA @ 12Vdc / 43mA @ 24Vdc
Radio Transmitting	[8x-5062] Add 100mA @ 12Vdc 50mA @ 24Vdc in short transmit bursts [8x-5063, 8x-5064] Add 320mA @ 12Vdc 160mA @ 24Vdc in short transmit bursts [81-506x] screw terminal blocks [82-506x] lever terminal blocks, 3.5mm, 22 to 14GA wires
Field Wiring Termination:	
Antenna Connector:	RP-SMA female (male pin center conductor)
Temperature:	-40°C to 70°C (operating), -40°C to 85°C (storage)
Humidity:	<95% RH (non-condensing)
Enclosure:	Polyamide, light gray (RAL 7035)
Mounting:	35mm DIN rail with bus connector block



Modulus Spread Spectrum Communications Module with Mini I/O - Type 2110—Antenna Wiring

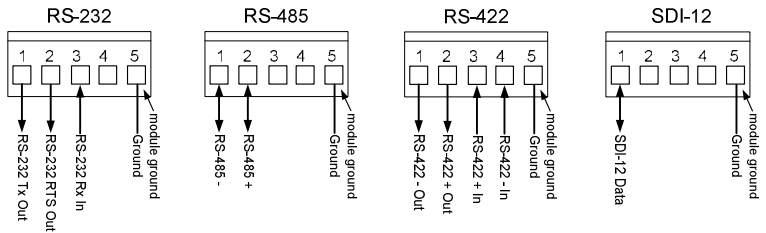
DIMENSIONS and CONNECTIONS



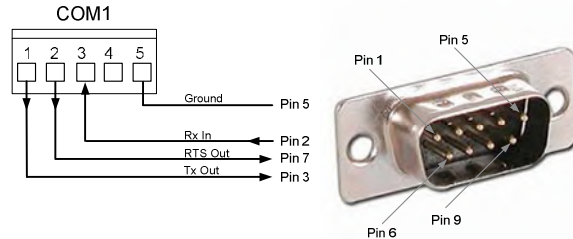
Terminal	Function
1	-485
2	+485
3	RESET#
4	GND
5	+V

Terminals	TB1	TB2	TB3
1	DI1	DO2	DI2
2	DI2	DO3	DI3
3	AI1	AO1	DI4
4	DO1	AO2	DI5
5	GND		DIC

General Purpose Communications Port COM1 (modes are software configured)

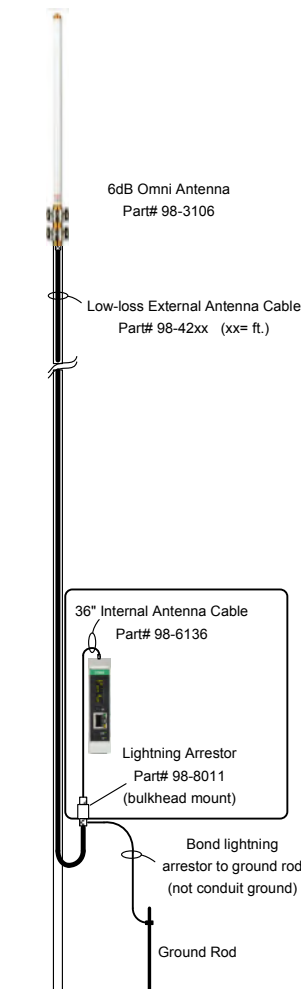
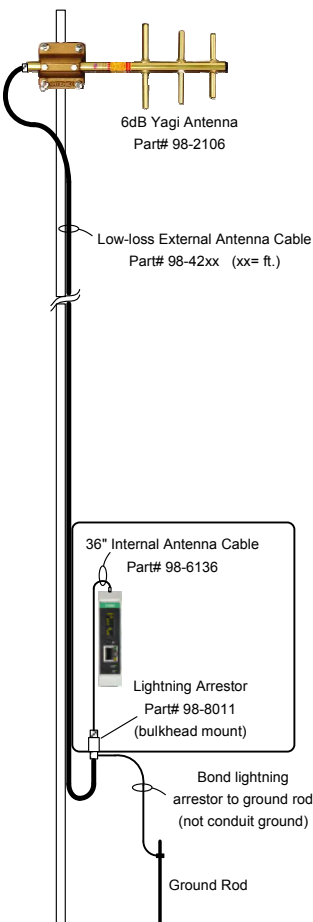


Typical COM1 RS-232 Wiring to Modem/Radio



Yagi

Omni



Antenna System Options

Spread Spectrum radio systems use antennas mounted external to the controller. The type of antenna used depends on both the distance to be covered and the terrain between any two sites that are to be linked together. The selection of antennas, mounting height above grade, cable types, etc. should be determined by use of a radio path study to ensure reliable communications. There are three types of antennas typically used:

- ◆ "Salt Shaker" style Omni-directional for moderate distances
- ◆ 6dB Omni-directional for best performance at a Master or repeater site
- ◆ 6dB Yagi directional for best noise rejection and signal focus at remote sites

"Salt Shaker" Style Omnidirectional for Medium Distance Communications

A "Salt Shaker" style antenna is the lowest cost, and easiest type to deploy in the field. It can be mounted on the top of the equipment panel and works well for moderate communications distance. Since it is omni-directional, there is no aiming or alignment required in the field. The antenna part number is **98-3103**, and connects to the communications module with a short internal antenna cable (part number **98-6536**).



"salt shaker" antenna

Antenna Components for Maximum Communications Distances

Using elevated higher gain antennas can significantly improve the performance and reliable operating distance of a radio system. Since elevating the antennas will also increase the installation and maintenance cost of the system, you should always have a radio path study done to select the antenna components and mounting arrangements. Omni-directional antennas do not need to be aimed while Yagi directional antennas will provide better off-axis noise rejection. For either type of antenna system, a lightning arrestor is generally recommended since by being elevated, the antennas become a better "target" for a lightning strike. Use a dedicated grounding rod and bonding as shown for the lightning arrestor.

Antenna System BOM:

- 98-6536** 36" Internal Antenna Cable
- 98-8011** Lightning Arrestor
- 98-42xx** Low-loss Antenna Cable (xx= length in feet)
- 98-2106** Spread Spectrum Yagi Directional Antenna or
- 98-3106** Spread Spectrum 6dB Omni-directional Antenna
- 98-9002** Weatherproofing Kit (for external antennal connections)

Modulus Spread Spectrum Communications Module with Mini I/O - Type 2110 - Field Device Wiring

! Refer to the installation manual for additional installation details and precautions.

Discrete Inputs DI1 & DI2, Discrete Output DO1 & Analog Input AI1 - TB1

The field wiring may be connected directly to the TB1 terminal block, or through a field Wiring Panel as shown in the diagrams below. All discrete inputs/outputs and the analog input are referenced to the ground terminal (5). This terminal is connected internally to the power supply ground.

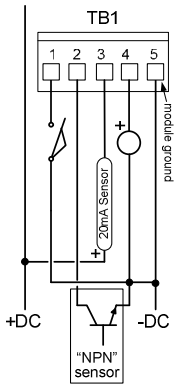
The Discrete Inputs accept contact closures or open-collector ("NPN" style) input signals. External pull-up resistors are not required.

The Discrete Output sources current by switching the module input power to the output terminal.

The analog Input accepts 20mA current or voltage (+/-5v, +/-10v and 30v) signals. The mode is software selectable. Sensors can be either loop powered (Figure A) or self-powered (Figure C). In power conserving applications, the analog sensor may be powered from the Discrete Output (Figure B), configured to switch power to the sensor only when needed to take an analog reading (with configurable "warmup" time (a 20mA loop powered sensor is shown below, but a voltage sensor can also be used by switching its power)).

Note that for all configurations, the model 82-00xx Field Wiring Panel is used.

FIGURE A
20mA Loop Powered Sensors
External Loop Supply



82-00xx Field Wiring Panel

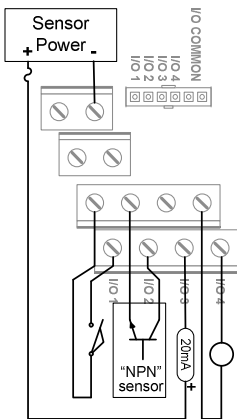
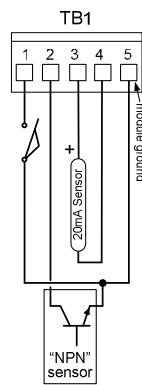


FIGURE B
Analog Sensor Power
from Discrete Output
(power saver)



82-00xx Field Wiring Panel

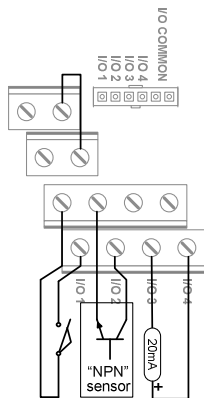
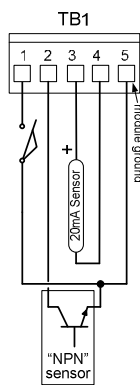
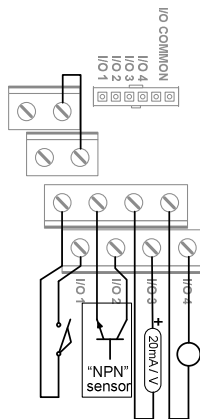


FIGURE C
Self-powered
Sensors



82-00xx Field Wiring Panel

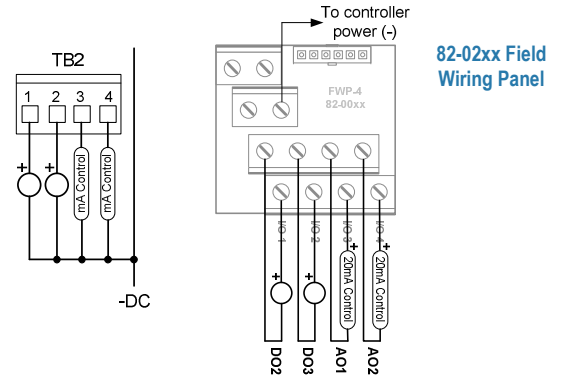


Discrete Outputs DO2 and DO3, Analog Outputs—TB2

Mini I/O Comm modules add two FET discrete outputs and two 20mA analog outputs to the base module. The field wiring to these outputs may be connected directly to the TB2 terminal block, or through an 82-02xx Field Wiring Panel as shown in the diagrams below. The cable for the field wiring panel is terminated with a 4-position terminal block plug that plugs into the module, and a separate ground wire that is connected back to the power ground (usually at the base terminal block on the DIN rail).

The Discrete Outputs source current ("PNP" style) by switching the modules input power to the output terminals.

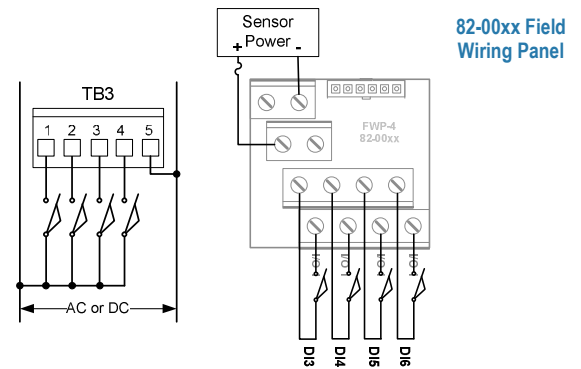
The Analog Outputs source current to their loads from the modules input power.



82-02xx Field Wiring Panel

Discrete Inputs DI3 to DI6—TB3

Mini I/O Comm modules have four optically isolated discrete inputs. The field wiring to these inputs may be connected directly to the TB3 terminal block, or through a Field Wiring Panel as shown in the diagrams below. The common for the discrete inputs is shared among the four inputs but isolated from the rest of the module.



82-00xx Field Wiring Panel

Sensor power may be AC or DC of either polarity. It can be the same source as the module input power.



Industrial Control Links, Inc.
Roseville, CA 530.888.1800