



**MDR-60 Power Supply**  
Rugged low-cost industrial power sources for SCADA systems

Product Data Sheet

**New!**

# 24V 60W DC Power Supply

**Reliable SCADA system power under harsh conditions**

- High-efficiency switching power supply
- 24Vdc 2.5A 60W
- Autosense 85 to 264Vac, 120 to 370Vdc Input Power
- Short Circuit, Overload, and Overvoltage Protected
- Separate "Power OK" Contacts
- Convection cooled – no fans or filters
- 35mm DIN rail mounting
- UL, CE approvals as well as NEC class 2/LPS compliant
- Wide operating temperature range: -20°C to +70°C
- 3-year factory warranty on parts and labor



**MDR-60 DC Power Supply**

The **MDR-60 DC Power Supply** provides up to 60 watts of clean regulated DC power for controllers, RTUs and sensors. It is Ideal for powering Pinnacle series SCADA controllers, and Sprite, Solaras and Ascent I/O modules.

**Adjustable 24Vdc Power** - These versatile 24 volt power supplies can power standard and battery backed controllers and I/O modules. The output voltage is adjustable from 24Vdc to 30Vdc (shipped from factory set to 24Vdc)

**Short Circuit and Overload Protection** - All output power is protected against overloads and short circuits. No external fusing is required.

**Flexible-Power Input** - The MDR-60 supports a wide range of AC and DC input power for use around the world and in many types of SCADA systems.

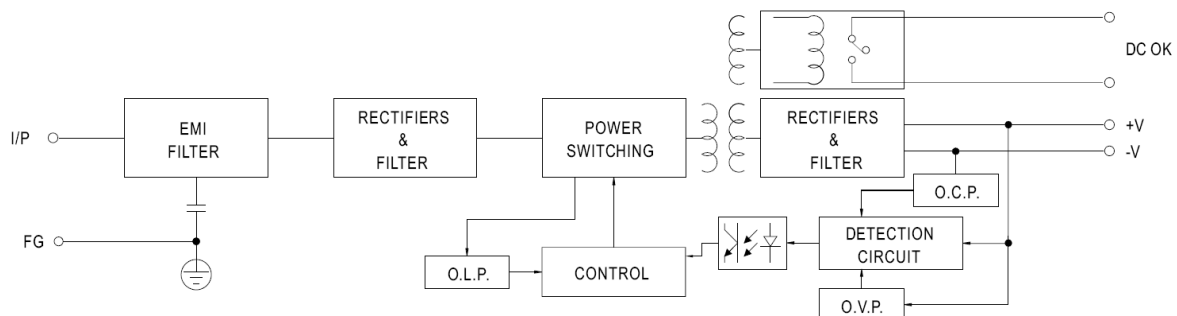
**High Efficiency** - MDR-60 Power Supplies use the latest high-frequency switching technology, accepting a wide range of AC and DC input voltages without bulky inefficient transformers, selector switches or jumpers. Only convection air flow is required for operation from -20°C to +70°C.

**"Power OK" Relay Output** - The MDR-60 power supply has a "dry" relay contact output to signal when DC power is OK, or conversely when there is a power failure.

**Wide Operating Temperature Range** - SCADA systems must operate in harsh industrial environments and temperature extremes. These supplies are rated to compliment the performance and endurance of your tough SCADA equipment.

**Safety Approvals** - Besides UL and CE approvals, the MDR-60 power supply is fully NEC class 2 / LPS compliant for extra fire safety.

**Rugged Reliability** - MDR-60 Power Supplies are 100% tested over an extended temperature range of -20°C to 70°C, and backed by an industry leading 3-year factory parts and labor warranty.



## Specifications

### Output

Output Voltage	24.0Vdc nominal, user adjustable from 24Vdc to 30Vdc
Output Current	2.5A (see derating above 50°C)
Output Power	60W
Ripple and Noise	150mVp-p
Line Regulation	+/-1%
Load Regulation	+/-1%
Overload Protection	105 to 150% rated output power
Oversoltage Protection	31.2Vdc to 36Vdc Shut down o/p voltage, re-power on to recover
Holdup Time (full load)	20mS (115Vac) 50mS (230Vac)
Power OK indication	LED indicator and relay contacts (30V/ 1A resistive load)
Efficiency	88%

### Input

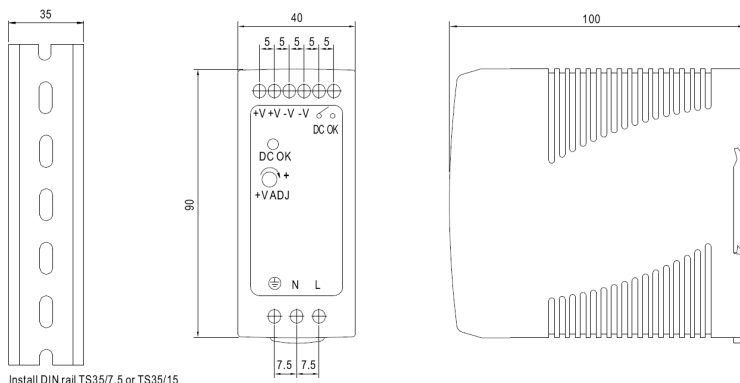
Voltage	85 to 264Vac (47Hz to 63Hz), 120 to 370Vdc
Current	1.8A (115Vac in), 1.0A (230Vac in) <0.75W with no load
Inrush Current	COLD START 30A (115Vac in), 60A (230Vac in)

### General

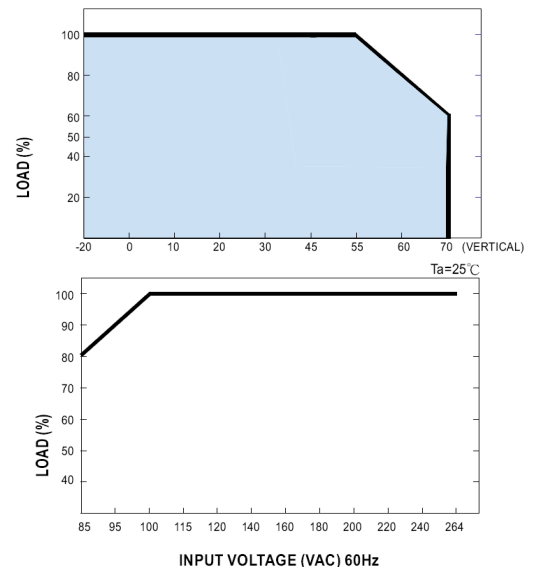
Operating Environment	-20°C to +70°C (see derating below), 20 to 90% RH
Vibration	10 to 500Hz, 2G 10min./1cycle, period for 60min. each along X, Y, Z axes ; Mounting : Compliance to IEC60068-2-6
Storage Environment	-40°C to +85°C, 10 to 95% RH
Mounting	35mm. DIN rail
Dimensions	1.57" (40mm)W x 3.54"(90mm)H x 3.94"(100mm)D (see below)
Safety Standards	UL508, UL60950-1, TUV EN60950-1 approved, NEC class 2 / LPS compliant
EMC Emmission Standards	Compliance to EN55011, EN55022 (CISPR22) ; EN61204-3, EN61000-3-2,-3
EMC Immunity Standards	Compliance to EN61000-4-2, 3, 4, 5, 6, 8, 11, EN55024, EN61000-6-2, EN61204-3, heavy industry level, criteria A
MTBF	299,2K hrs min. MIL-HDBK-217F (25°C)
Warranty	3 years, factory parts and labor

### Part Number

**90-1024** 24Vdc, 60W DC Power Supply



**Dimensions and Wiring**



**Derating**

## Represented by:

Industrial Control Links, Inc.  
[www.iclinks.com](http://www.iclinks.com)  
 Tel: 530-888-1800